



Model Number

40FY28-020

Features

- Hall Effect Sensor
- Door Interrupt Sensor
- Tamper resistant magnetic actuator

Accessories

41FY1

41FY2

Technical Data

General specifications

Switching element function		NPN normally open contact
Rated operating distance	s_n	Use either 41FY1 - 6.4 - 15.2 mm or 41FY2 - 7.6 - 19 mm
Installation		non-flush
Output polarity		DC

Nominal ratings

Operating voltage	U_B	10 ... 30 V DC
Hysteresis	H	5 ... 25 %
Short-circuit protection		yes
Voltage drop	U_d	≤ 2.5 V DC
Repeat accuracy		+/- 3 %
Operating current	I_L	≤ 200 mA
Off-state current	I_r	≤ 30 mA
No-load supply current	I_0	≤ 40 mA

Indicators/operating means

LED indicator		switching state
---------------	--	-----------------

Electrical specifications

Electrical rating		10 - 30 V DC
-------------------	--	--------------

Ambient conditions

Ambient temperature		-30 ... 85 °C (-22 ... 185 °F)
---------------------	--	--------------------------------

Mechanical specifications

Connection type		cable PVC , 2 m
Core cross-section		0.34 mm ²
Housing material		Polycarbonate
Sensing face		Polycarbonate
Degree of protection		IP67

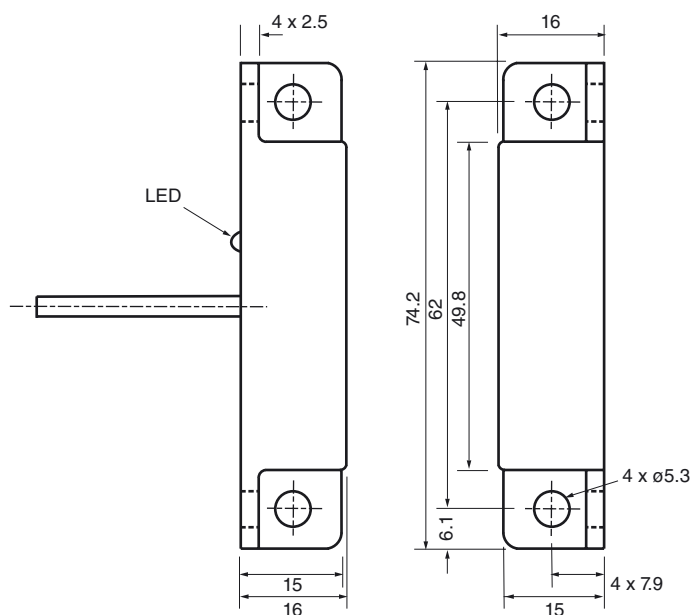
Compliance with standards and directives

Standard conformity		
Standards		EN 60947-5-2:2007 IEC 60947-5-2:2007

Approvals and certificates

UL approval		cULus Listed, General Purpose
CSA approval		cCSAus Listed, General Purpose

Dimensions



Electrical Connection

